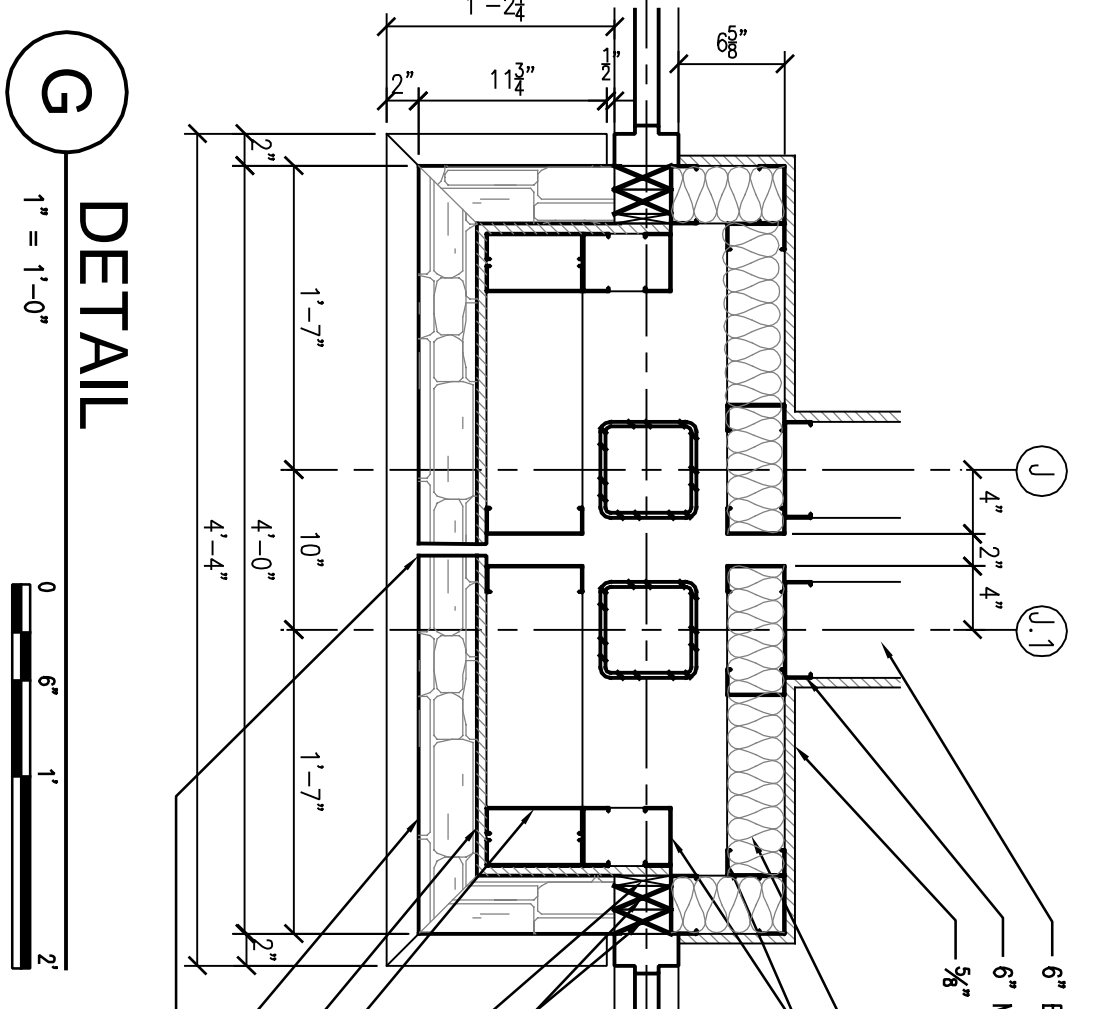
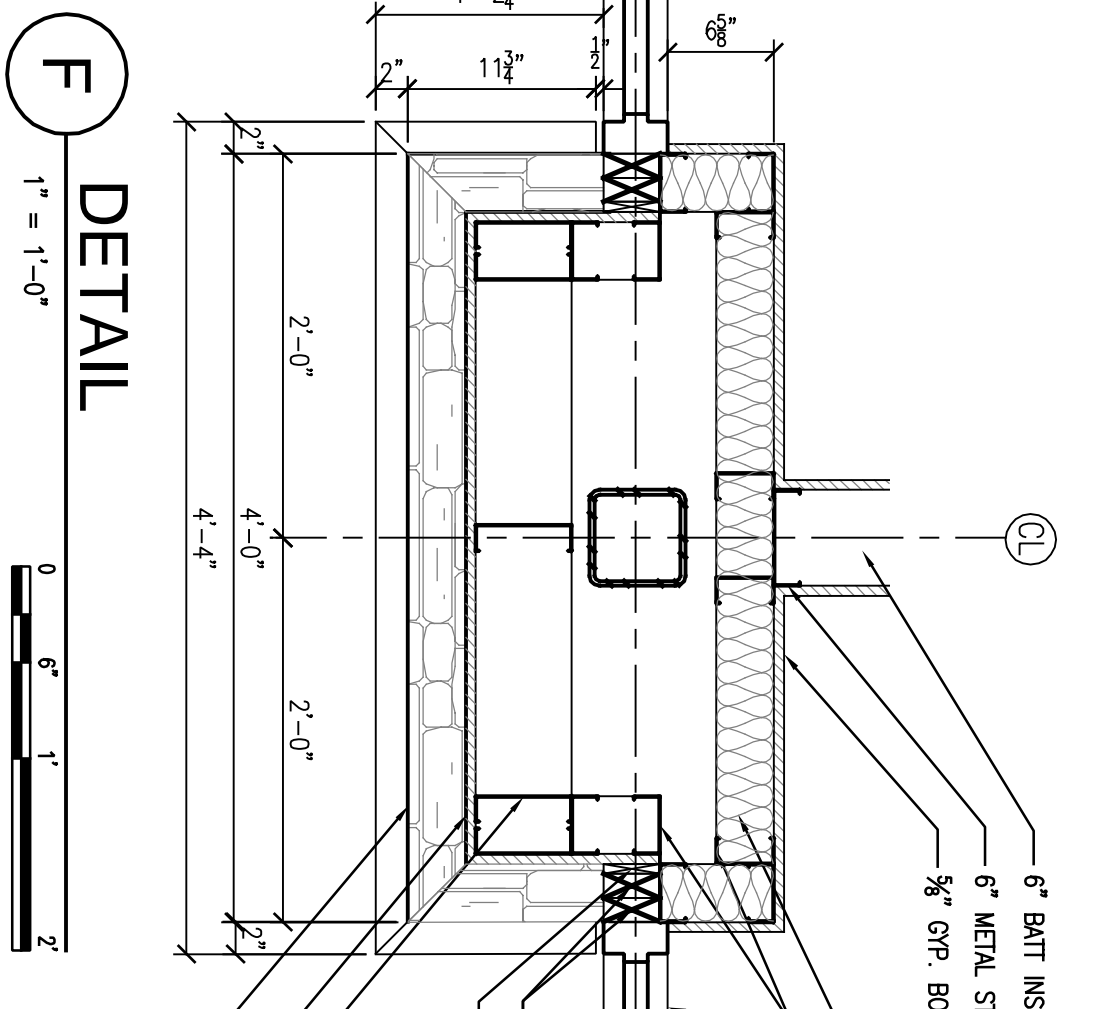
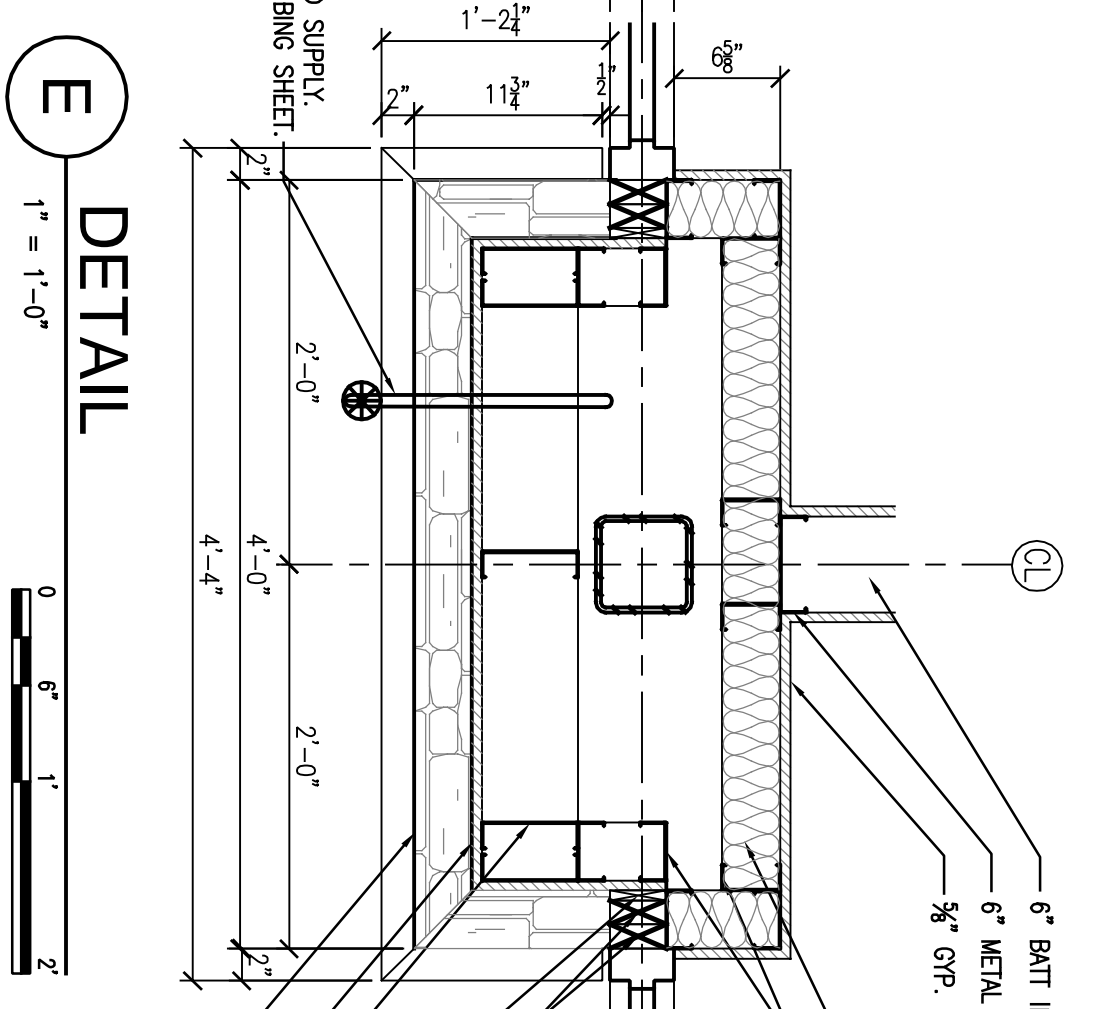
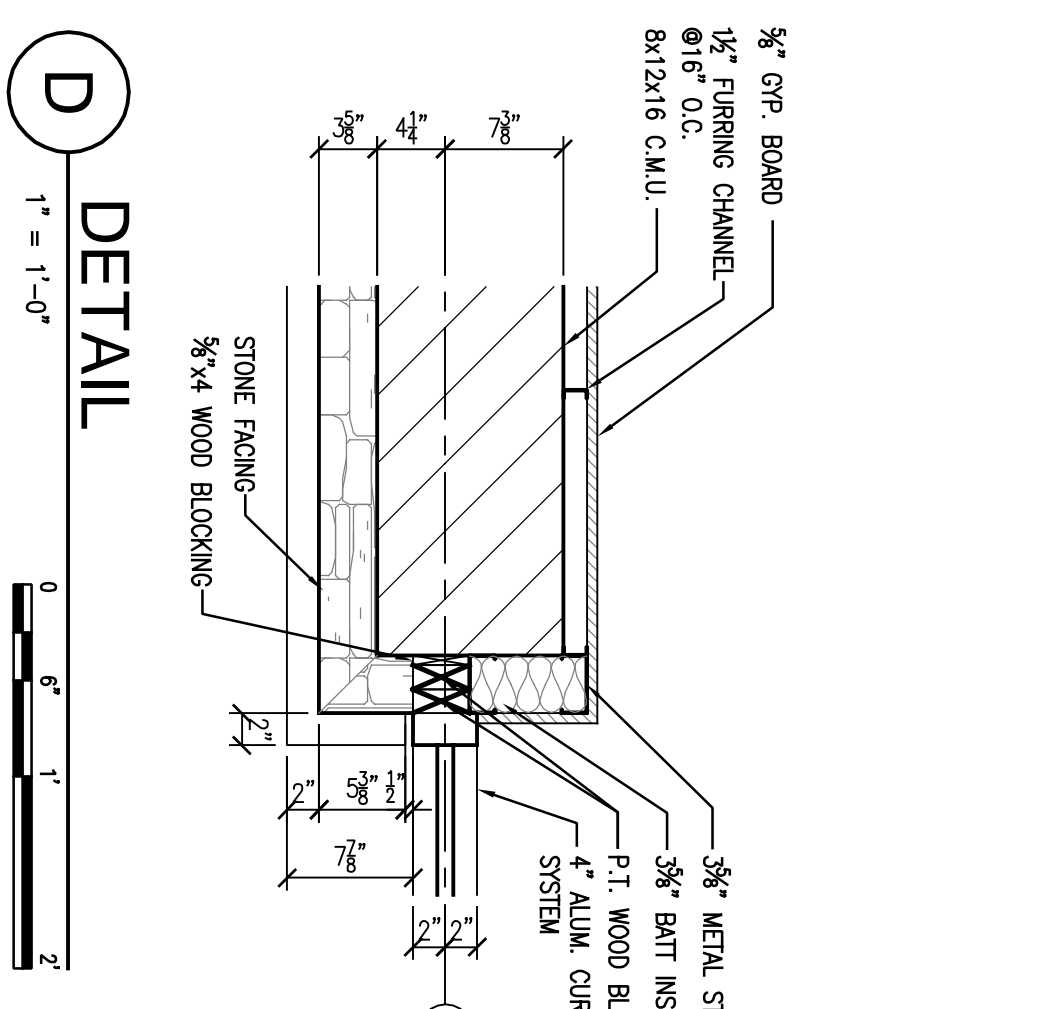
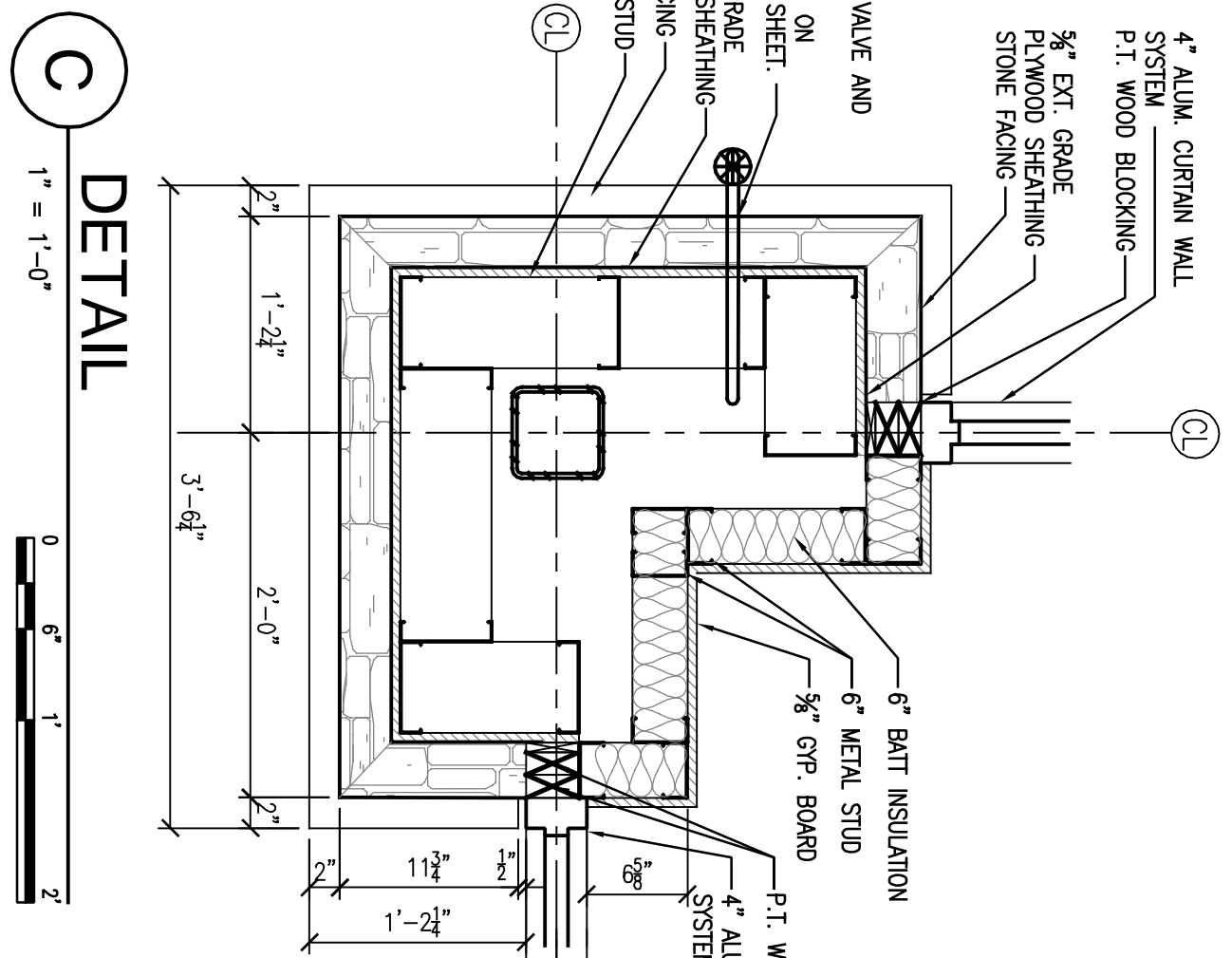
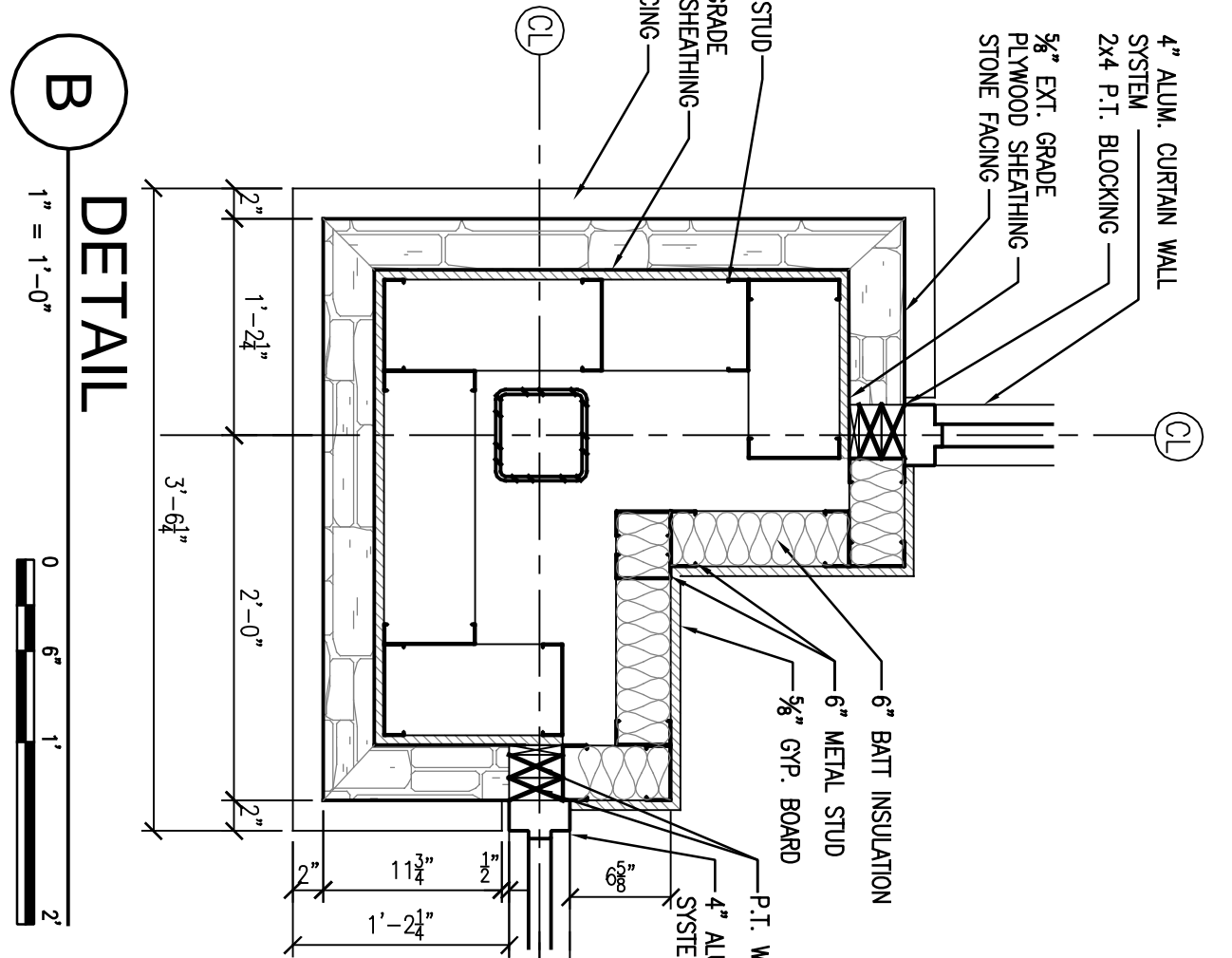


A PARTIAL FLOOR PLAN
1/8" = 1'-0"



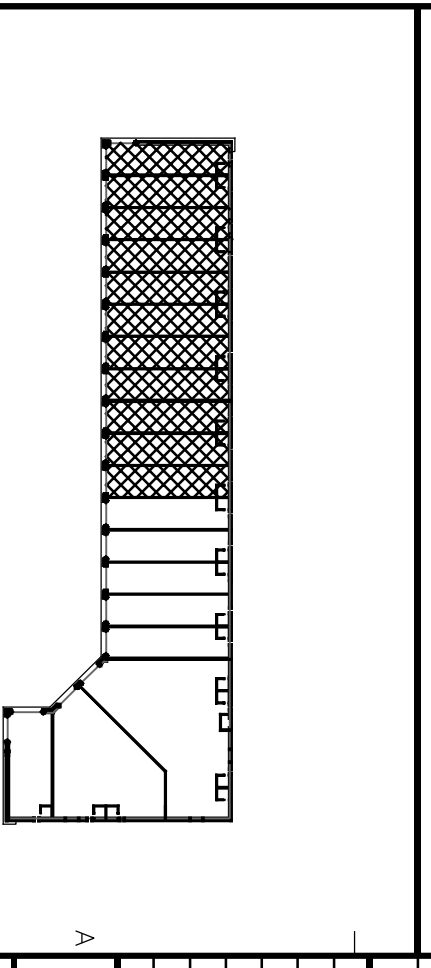
GENERAL NOTES

1. 6" BOLTED AS PER DETAIL IN SITE DRAWINGS.
2. 6" METAL STUDS W/ (1) LAYER 5/8" GYP BOARD EACH SIDE.
3. 6" BATT INSULATION IN WALL CAVITY, FINISH GYP BOARD PAINT READY AND PRIME W/ (1) COAT LATEX PRIMER, ONE HOUR TENNATE SEPARATION WALL.
4. ERS SPLIT ABOVE.
5. NOT USED.
6. 3'-0"x7'-0" HM DOOR IN 3'-0"x7'-0" HM MASONRY HEAD FRAME. HINGERS: ENR DEARBOLT LOCK. -3" HINGERS SET, NO RING OR PULL ON OUTSIDE.
7. 3'-0"x7'-0" ALUMINUM FRAME FULL GLASS DOOR AS PROVIDED BY STORE FRONT MANUFACTURER. -THUMB TURN DEAD BOLT LOCK.
8. 1 1/2" CMU IN 8" CMU WALL, 5/8" GYP BOARD PAINT AND FINISH PAINT READY. FRAME WITH (1) COAT LATEX PRIMER.
9. MASONRY SEALERS ON CMU.
10. SEAL CONCRETE FLOOR.
11. 12" CMU WALL SYSTEM, REINFORCE AS DERIVED IN STRUCTURAL DRAWINGS.
12. 3'-0"x6'-4" PRE-HUNG HOLLOW CORE DOOR WITH PRIMOY HARDWARE SET, WOOD CASING.
13. 6'-0"x7'-0" HM DOOR.
14. 6" METAL STUDS W/ (1) LAYER 5/8" GYP BOARD (1) SIDE.
15. 6" BATT INSULATION IN WALL CAVITY, FINISH GYP BOARD PAINT READY AND PRIME W/ (1) COAT LATEX PRIMER, ONE HOUR TENNATE SEPARATION WALL.

KEYED NOTES

1. 6" BATT INSULATION
2. 6" METAL STUD
3. 5/8" GYP BOARD
4. 6" METAL STUD
5. 6" BATT INSULATION
6. 6" METAL STUD
7. 5/8" GYP BOARD
8. 6" METAL STUD
9. 6" BATT INSULATION
10. 6" METAL STUD
11. 5/8" GYP BOARD
12. 6" METAL STUD
13. 6" BATT INSULATION
14. 6" METAL STUD
15. 5/8" GYP BOARD
16. 6" METAL STUD
17. 6" BATT INSULATION
18. 6" METAL STUD
19. 5/8" GYP BOARD
20. 6" METAL STUD
21. 6" BATT INSULATION
22. 6" METAL STUD
23. 5/8" GYP BOARD
24. 6" METAL STUD
25. 6" BATT INSULATION
26. 6" METAL STUD
27. 5/8" GYP BOARD
28. 6" METAL STUD
29. 6" BATT INSULATION
30. 6" METAL STUD
31. 5/8" GYP BOARD
32. 6" METAL STUD
33. 6" BATT INSULATION
34. 6" METAL STUD
35. 5/8" GYP BOARD
36. 6" METAL STUD
37. 6" BATT INSULATION
38. 6" METAL STUD
39. 5/8" GYP BOARD
40. 6" METAL STUD
41. 6" BATT INSULATION
42. 6" METAL STUD
43. 5/8" GYP BOARD
44. 6" METAL STUD
45. 6" BATT INSULATION
46. 6" METAL STUD
47. 5/8" GYP BOARD
48. 6" METAL STUD
49. 6" BATT INSULATION
50. 6" METAL STUD
51. 5/8" GYP BOARD
52. 6" METAL STUD
53. 6" BATT INSULATION
54. 6" METAL STUD
55. 5/8" GYP BOARD
56. 6" METAL STUD
57. 6" BATT INSULATION
58. 6" METAL STUD
59. 5/8" GYP BOARD
60. 6" METAL STUD
61. 6" BATT INSULATION
62. 6" METAL STUD
63. 5/8" GYP BOARD
64. 6" METAL STUD
65. 6" BATT INSULATION
66. 6" METAL STUD
67. 5/8" GYP BOARD
68. 6" METAL STUD
69. 6" BATT INSULATION
70. 6" METAL STUD
71. 5/8" GYP BOARD
72. 6" METAL STUD
73. 6" BATT INSULATION
74. 6" METAL STUD
75. 5/8" GYP BOARD
76. 6" METAL STUD
77. 6" BATT INSULATION
78. 6" METAL STUD
79. 5/8" GYP BOARD
80. 6" METAL STUD
81. 6" BATT INSULATION
82. 6" METAL STUD
83. 5/8" GYP BOARD
84. 6" METAL STUD
85. 6" BATT INSULATION
86. 6" METAL STUD
87. 5/8" GYP BOARD
88. 6" METAL STUD
89. 6" BATT INSULATION
90. 6" METAL STUD
91. 5/8" GYP BOARD
92. 6" METAL STUD
93. 6" BATT INSULATION
94. 6" METAL STUD
95. 5/8" GYP BOARD
96. 6" METAL STUD
97. 6" BATT INSULATION
98. 6" METAL STUD
99. 5/8" GYP BOARD
100. 6" METAL STUD

KEYPLAN



PARTIAL FLOOR PLAN AND PLAN DETAILS
RAMA FORUM SHOPS MOBILE
 MOFFETT DRIVE (HWY98)
 MOBILE, ALABAMA

Issued: October MARCH, 2006
 Drawn By: JLO
 Checked By: ALO
 Revisors:

WORK: _____
 DATE: _____
 Project Number: 05123.02
 © 2006 CMW
A-101

CMW inc.
 400 E. Vine, Ste 400, Lexington, KY 40507 859.254.6623 Fax 859.259.1877

OWNERSHIP OF INSTRUMENTS OF SERVICE
 ALL REPORTS, DRAWINGS, SPECIFICATIONS, COMPUTER FILES, FIELD DATA, NOTES AND OTHER DOCUMENTS PREPARED BY CMW, INC. AS INSTRUMENTS OF SERVICE ARE THE PROPERTY OF CMW, INC. CMW, INC. SHALL RETAIN ALL COMMON LAW, STATUTORY AND OTHER RESERVED RIGHTS, INCLUDING THE COPYRIGHT THERE TO.