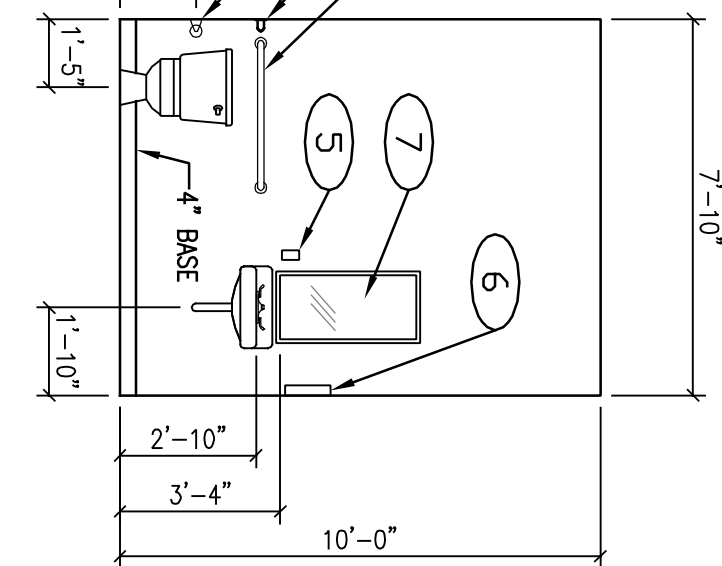
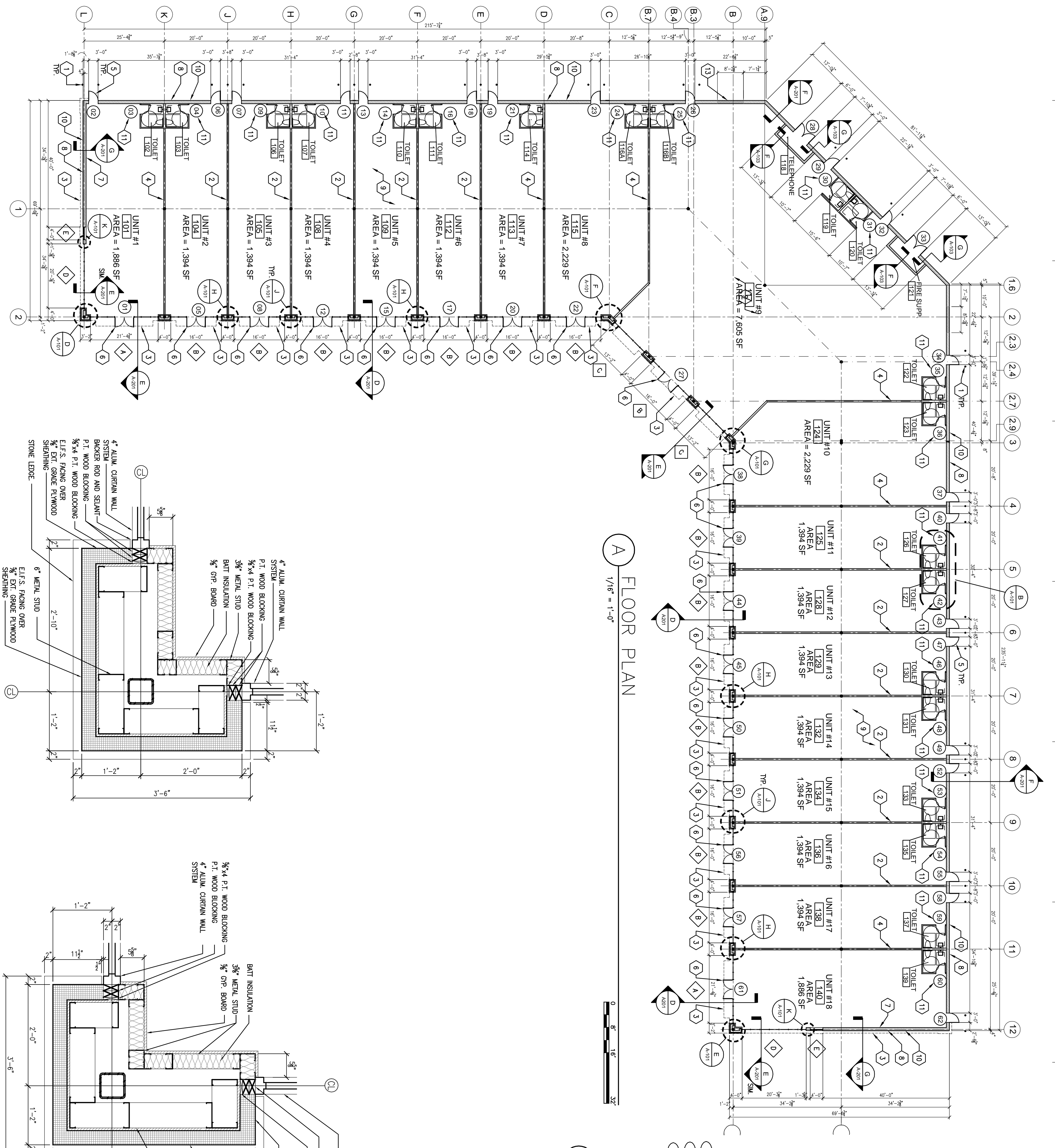


**B ENLARGED TOILET PLAN**  
1/4" = 1'-0"

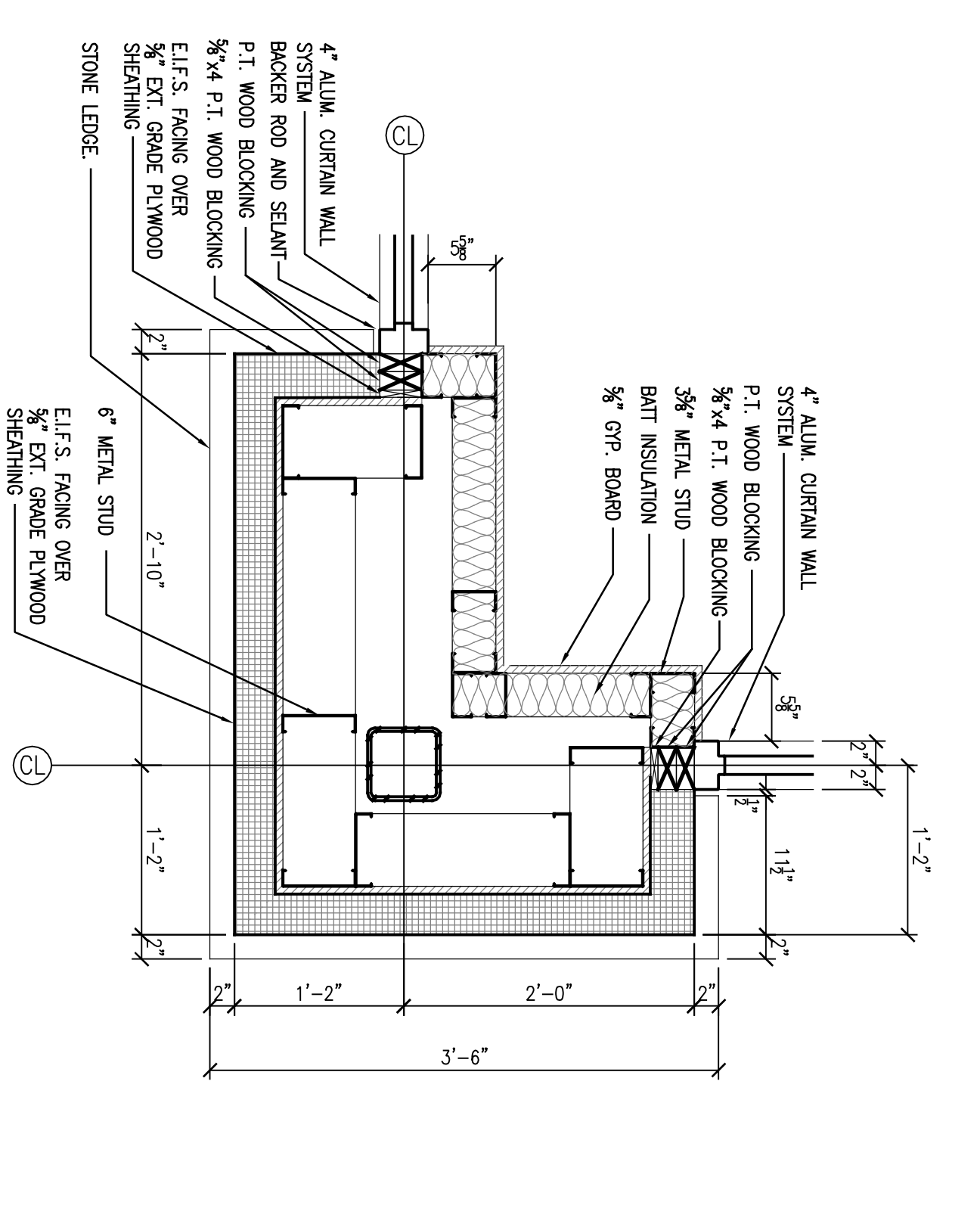


**C TOILET ELEV.**  
1/4" = 1'-0"

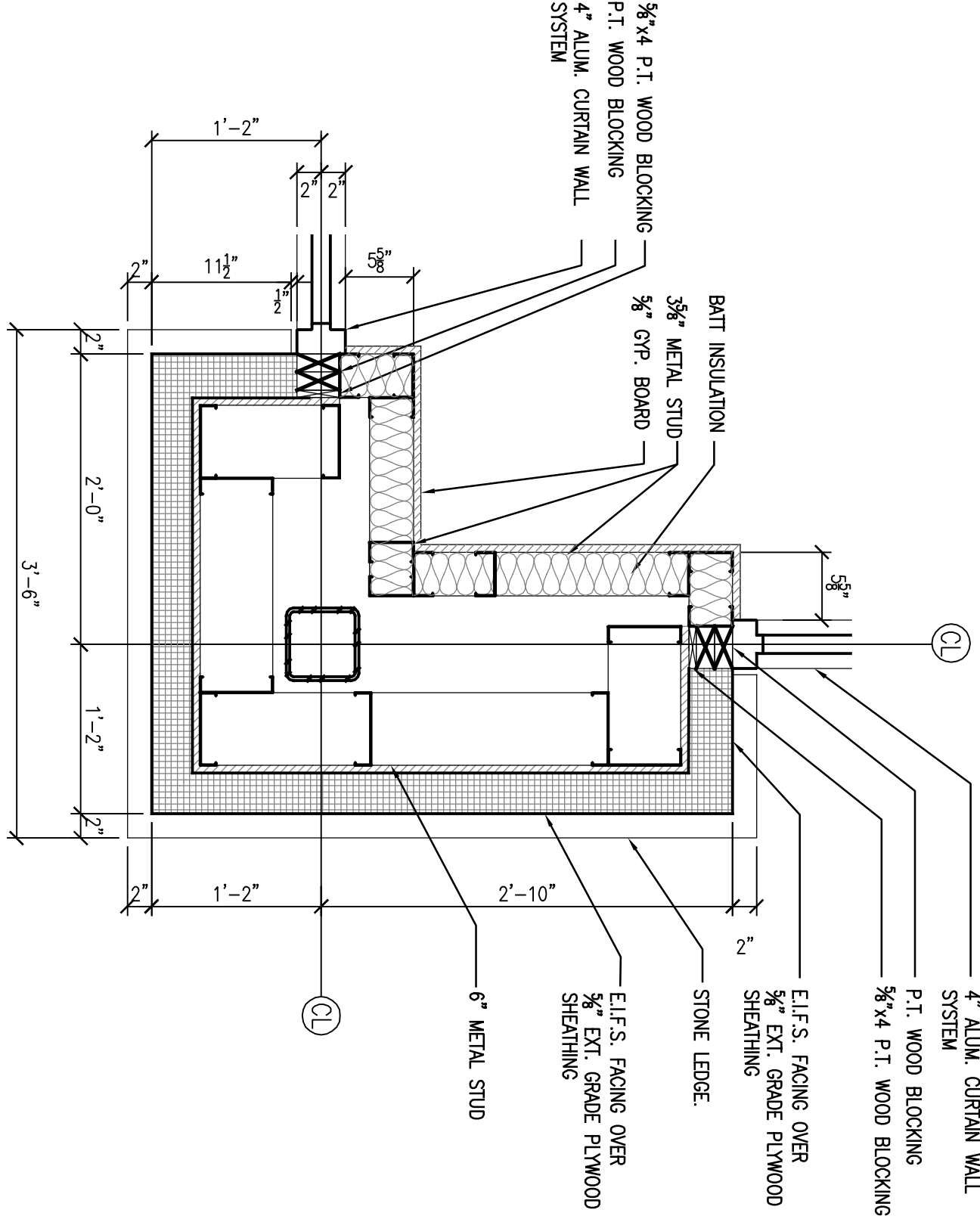
TOILET ACCESSORIES:			
DESCRIPTION	MOUNTING	REMARKS/ MODEL NUMBERS	
1 TOILET TISSUE DISPENSER	19" AFF TO CL.	1-5230	
2 SOAP DISPENSER	34" AFF TO CL.	1-8106	
3 42" SOAP BAR	34" AFF TO CL.	1-8106	
4 SOAP DISPENSER	40" AFF BOTTOM	1-8221	
5 PAPER TOWEL DISP	55" AFF TOP	1-5232	
6 WASTE RECEPTACLE	40" AFF BOTTOM	1-55-1835	
7 MIRROR IN SS FRAME	40" AFF BOTTOM	1-55-1835	



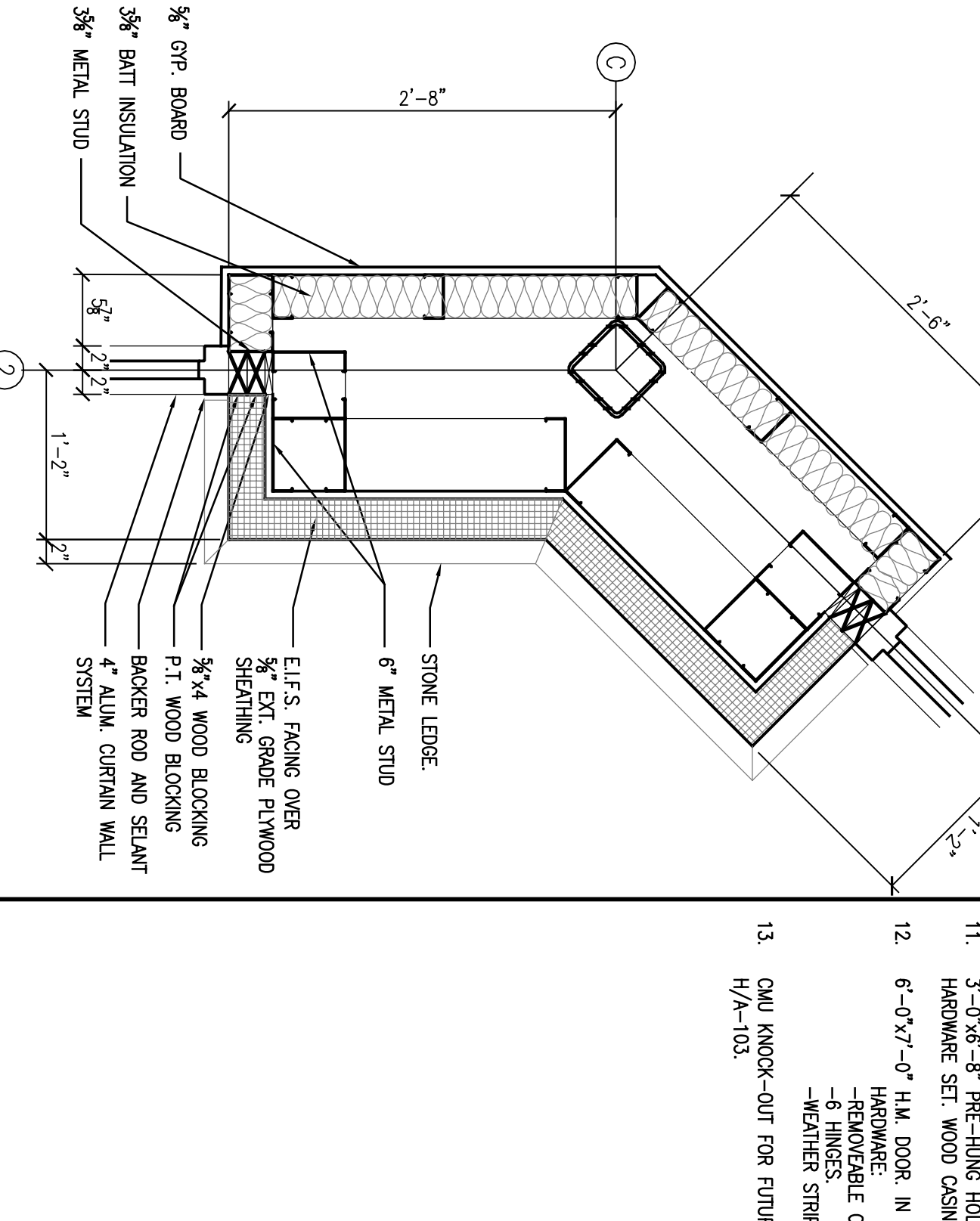
**A FLOOR PLAN**  
1/8" = 1'-0"



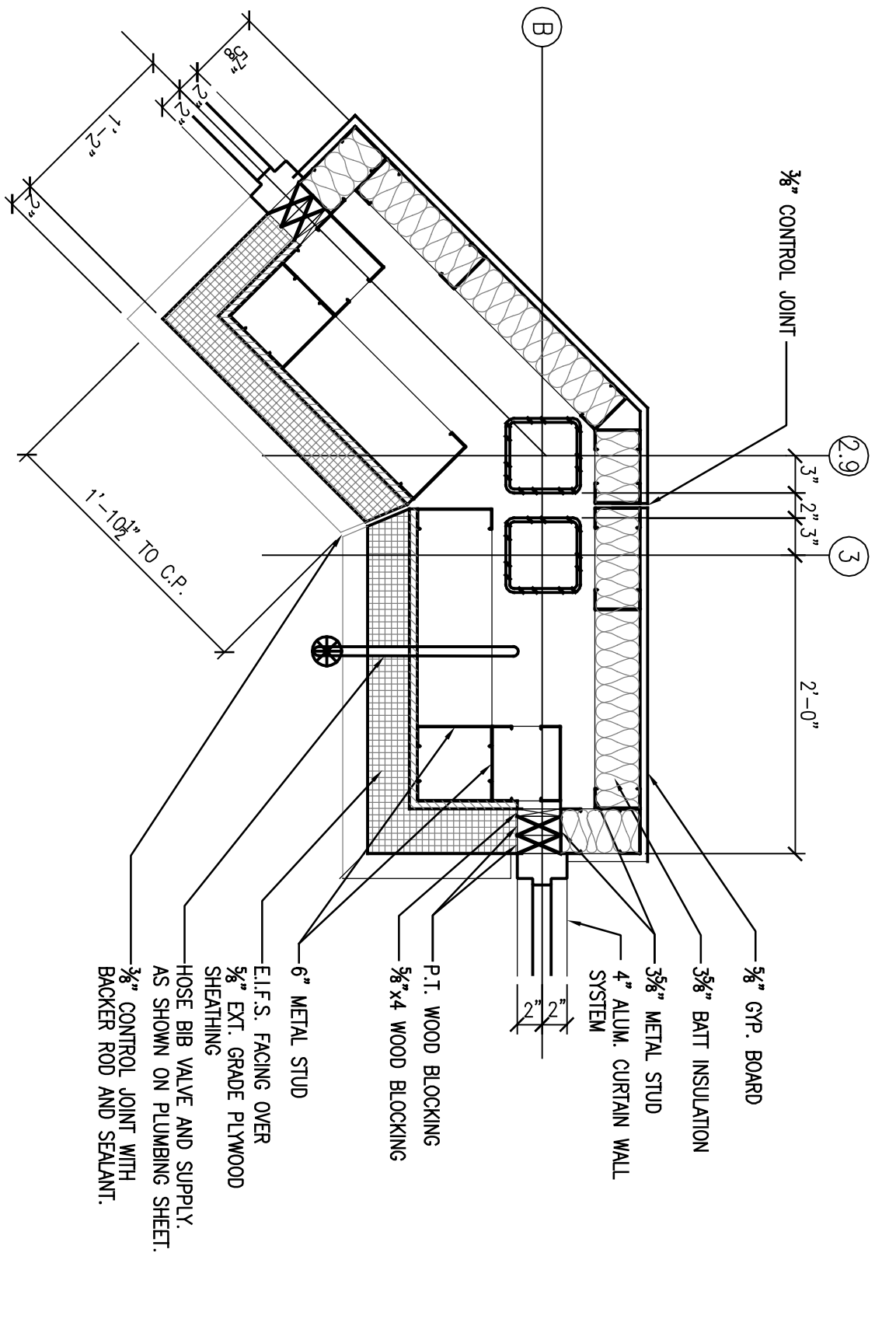
**D DETAIL**  
1" = 1'-0"



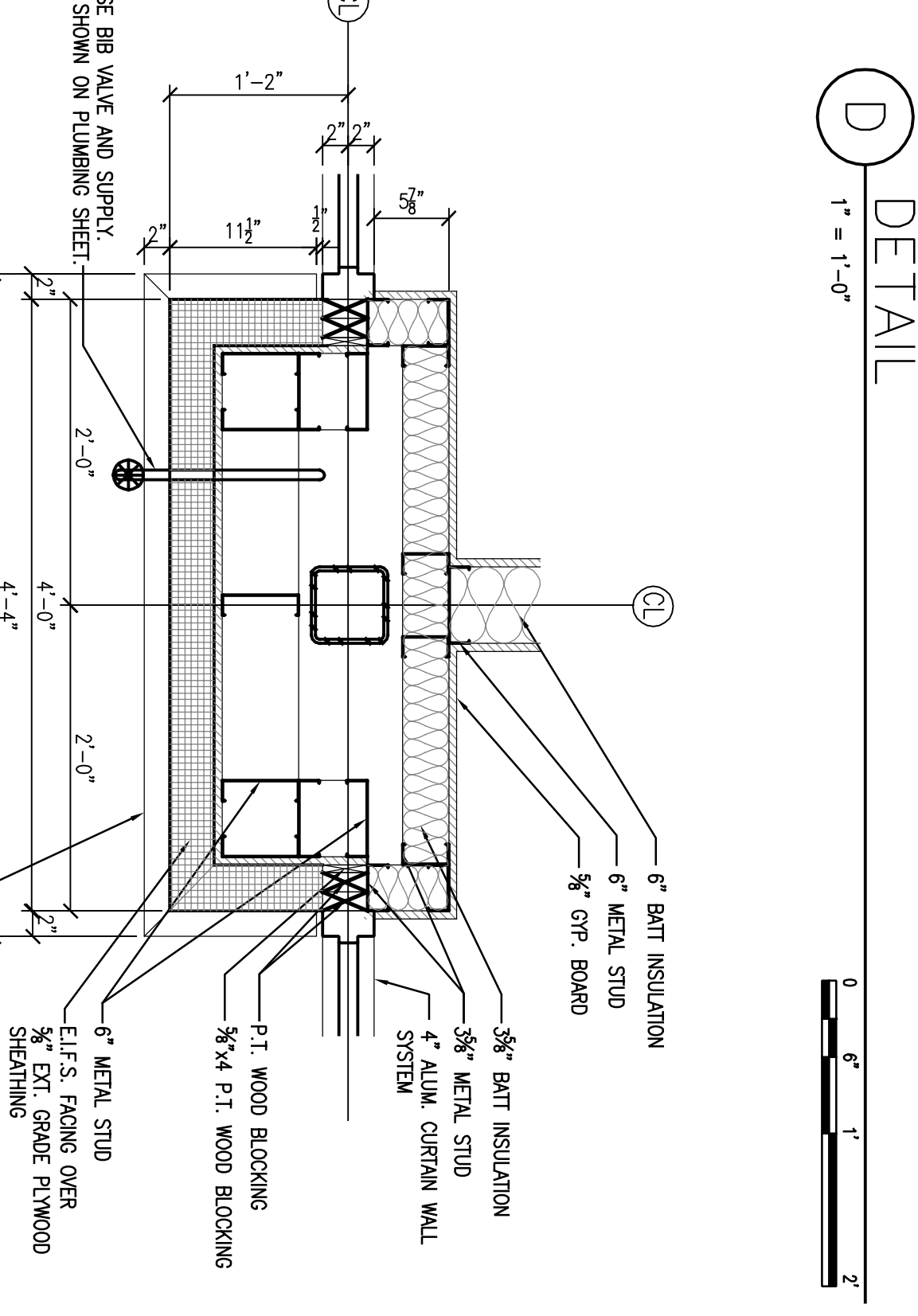
**E DETAIL**  
1" = 1'-0"



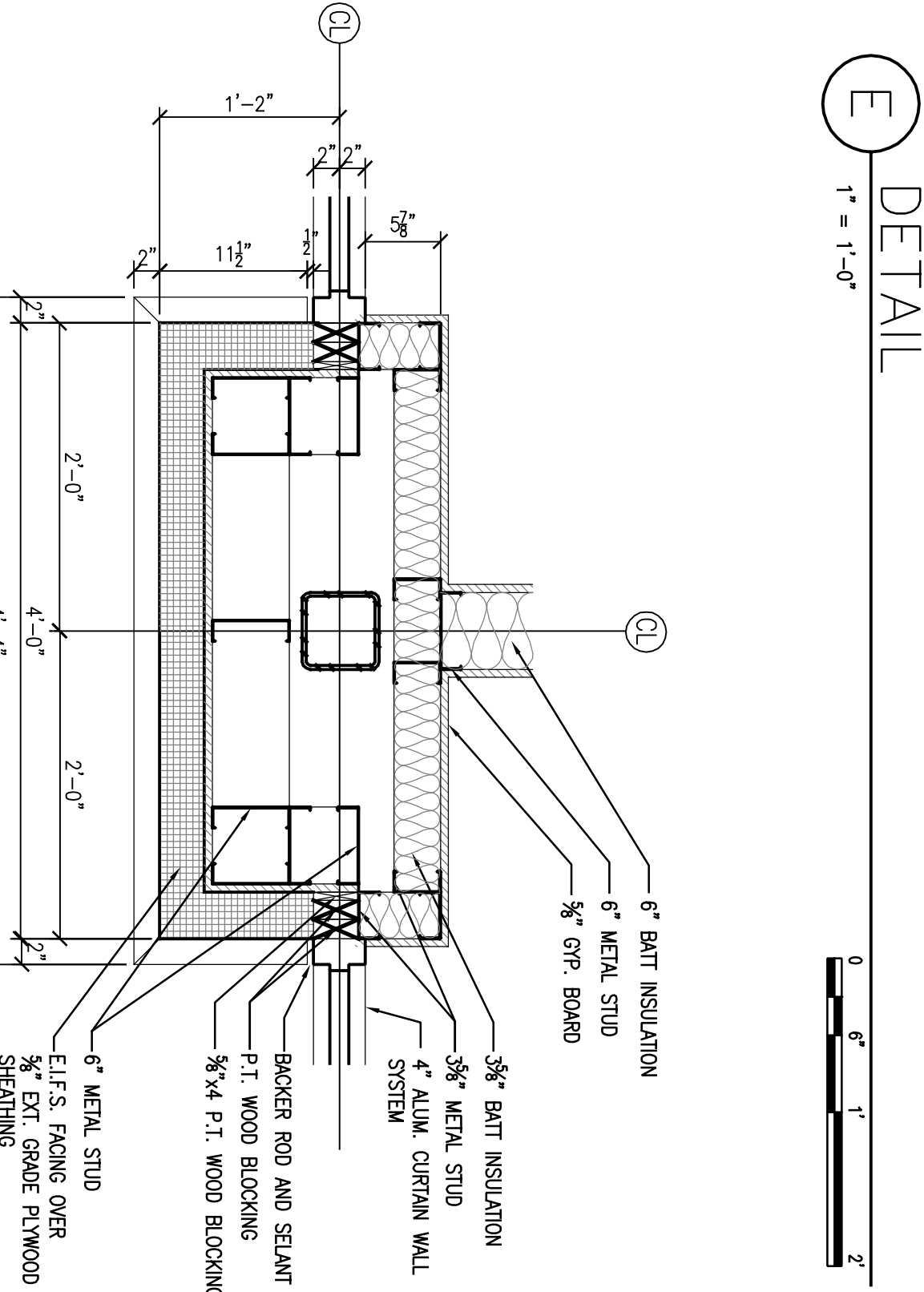
**F DETAIL**  
1" = 1'-0"



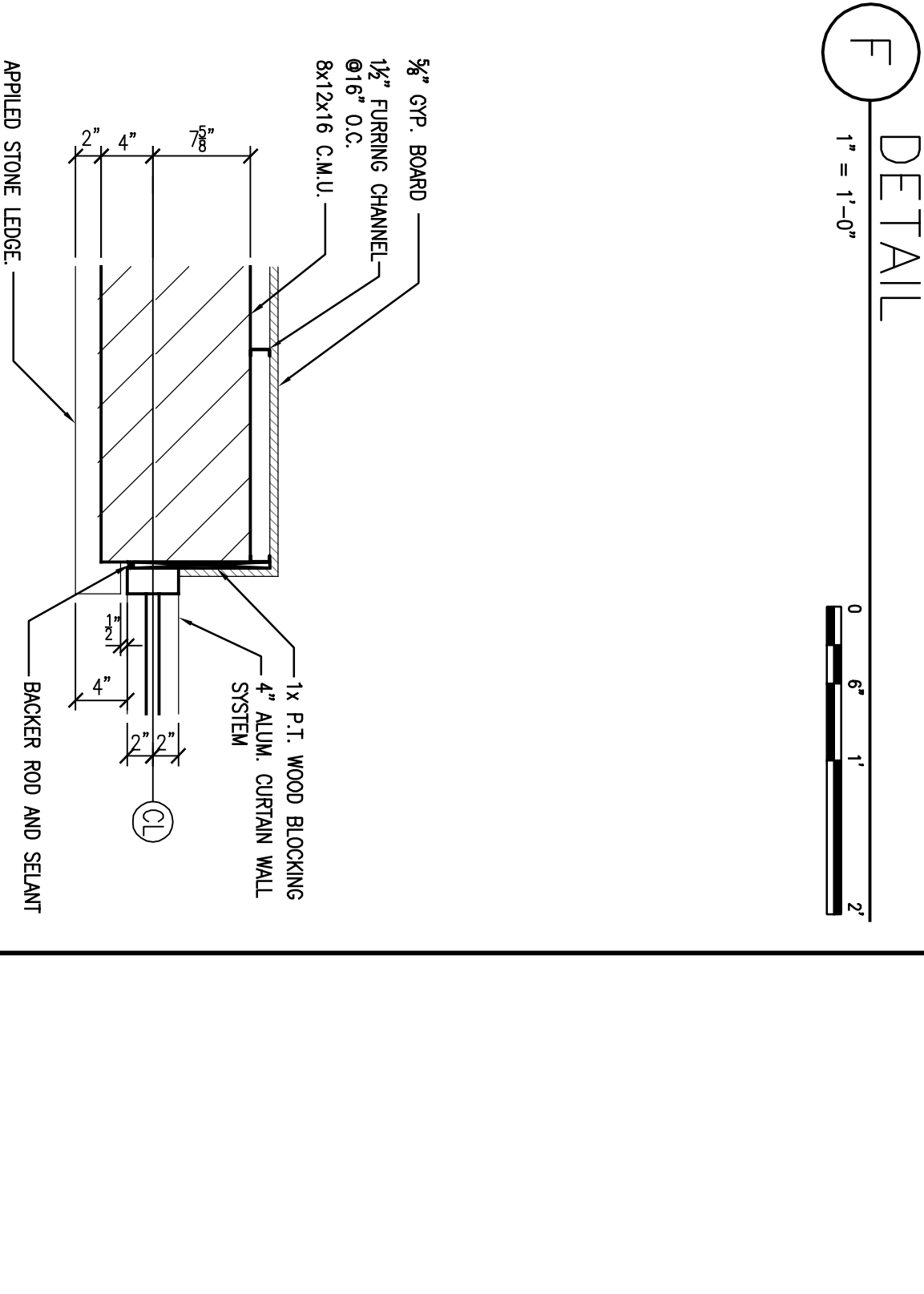
**G DETAIL**  
1" = 1'-0"



**H DETAIL**  
1" = 1'-0"



**J DETAIL**  
1" = 1'-0"



**K DETAIL**  
1" = 1'-0"

**GENERAL NOTES**

1. 6" BOLDED AS PER DETAIL IN SITE DRAWINGS.
2. 6" METAL STUDS W/ (1) LAYER 3/4" GYP BOARD EACH SIDE AND (1) LAYER 1/2" GYP BOARD EACH SIDE. PAINT REAR AND FRONT W/ (1) COAT LATEX PRIMER, ONE HOUR TENANT SEPARATION WALL.
3. ERS SPLIT ABOVE.
4. 6" METAL STUDS W/ (2) LAYERS 3/4" GYP BOARD EACH SIDE AND (1) LAYER 1/2" GYP BOARD EACH SIDE. PAINT REAR AND FRONT W/ (1) COAT LATEX PRIMER, TWO HOUR TENANT SEPARATION WALL.
5. 3'-0"x7'-0" HM DOOR IN 3'-0"x7'-0" HM MASONRY HEAD FRAME. HARDWARE: - 1 INSIDE SET, NO MIBR OR PULL ON OUTSIDE. - 1 WINDSTOP STRIP AND SWEEP. - WEATHER STRIP AND SWEEP.
6. 3'-0"x7'-0" ALUMINUM FRAME FULL GLASS DOOR AS PROVIDED BY STORE FRONT MANUFACTURER. HARDWARE: - 1 INSIDE SET, NO MIBR OR PULL ON OUTSIDE. - ALL OTHER HARDWARE BY STORE FRONT.
7. 1/2" STUB ON 6" CMU WALL, 3/4" GYP BOARD, PAINT AND FINISH W/ (1) COAT LATEX PRIMER.
8. MEDIUM BUFR 12" SHUT-FACE CMU WITH MASONRY SCALES.
9. SEAL CONCRETE FLOOR.
10. 12" CMU WALL SYSTEM REINFORCE AS SHOWN IN STRUCTURAL DRAWINGS.
11. 3'-0"x6'-8" PRE-HANG HOLLOW CORE DOOR WITH PRORACY HARDWARE, SET, WOOD GRAIN.
12. 6'-0"x7'-0" HM DOOR IN MASONRY HEAD HOLLOW METAL FRAME. HARDWARE: - 6 FINNERS. - WEATHER STRIP AND SWEEP.
13. CMU KNOCK-OUT FOR FINISH OVERHEAD DOOR OPENING. SEE DETAIL H/A-101.

**KEYED NOTES**

1. 6" BOLDED AS PER DETAIL IN SITE DRAWINGS.
2. 6" METAL STUDS W/ (1) LAYER 3/4" GYP BOARD EACH SIDE AND (1) LAYER 1/2" GYP BOARD EACH SIDE. PAINT REAR AND FRONT W/ (1) COAT LATEX PRIMER, ONE HOUR TENANT SEPARATION WALL.
3. ERS SPLIT ABOVE.
4. 6" METAL STUDS W/ (2) LAYERS 3/4" GYP BOARD EACH SIDE AND (1) LAYER 1/2" GYP BOARD EACH SIDE. PAINT REAR AND FRONT W/ (1) COAT LATEX PRIMER, TWO HOUR TENANT SEPARATION WALL.
5. 3'-0"x7'-0" HM DOOR IN 3'-0"x7'-0" HM MASONRY HEAD FRAME. HARDWARE: - 1 INSIDE SET, NO MIBR OR PULL ON OUTSIDE. - 1 WINDSTOP STRIP AND SWEEP. - WEATHER STRIP AND SWEEP.
6. 3'-0"x7'-0" ALUMINUM FRAME FULL GLASS DOOR AS PROVIDED BY STORE FRONT MANUFACTURER. HARDWARE: - 1 INSIDE SET, NO MIBR OR PULL ON OUTSIDE. - ALL OTHER HARDWARE BY STORE FRONT.
7. 1/2" STUB ON 6" CMU WALL, 3/4" GYP BOARD, PAINT AND FINISH W/ (1) COAT LATEX PRIMER.
8. MEDIUM BUFR 12" SHUT-FACE CMU WITH MASONRY SCALES.
9. SEAL CONCRETE FLOOR.
10. 12" CMU WALL SYSTEM REINFORCE AS SHOWN IN STRUCTURAL DRAWINGS.
11. 3'-0"x6'-8" PRE-HANG HOLLOW CORE DOOR WITH PRORACY HARDWARE, SET, WOOD GRAIN.
12. 6'-0"x7'-0" HM DOOR IN MASONRY HEAD HOLLOW METAL FRAME. HARDWARE: - 6 FINNERS. - WEATHER STRIP AND SWEEP.
13. CMU KNOCK-OUT FOR FINISH OVERHEAD DOOR OPENING. SEE DETAIL H/A-101.

OWNERSHIP OF INSTRUMENTS OF SERVICE  
ALL REPORTS, DRAWINGS, SPECIFICATIONS, CONTRACTS AND OTHER DOCUMENTS AND INSTRUMENTS OF SERVICE ARE THE PROPERTY OF CMW, INC. AND SHALL REMAIN THE PROPERTY OF CMW, INC. CMW, INC. IS NOT RESPONSIBLE FOR ANY REVISIONS OR CORRECTIONS TO ANY INSTRUMENTS OF SERVICE AFTER THE DATE OF ISSUANCE UNLESS THE REVISIONS OR CORRECTIONS ARE REQUESTED BY THE CLIENT AND APPROVED BY CMW, INC. IN WRITING.



FLOOR PLAN / PLAN DETAILS  
FORUM SHOPS LLC / RAMA INVESTMENTS  
MOULTON, ALABAMA

Issue Date	MARCH 2008
Drawn By	JIG
Checked By	ATD
Revisions	
Work	Order
Project Number	05061.01
© 2008 CMW	A-101